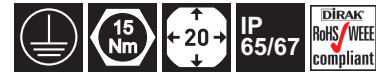


1-100.01 Quarter-Turn Pr20.1 L18

for cutout 20.1, length 18, low profile

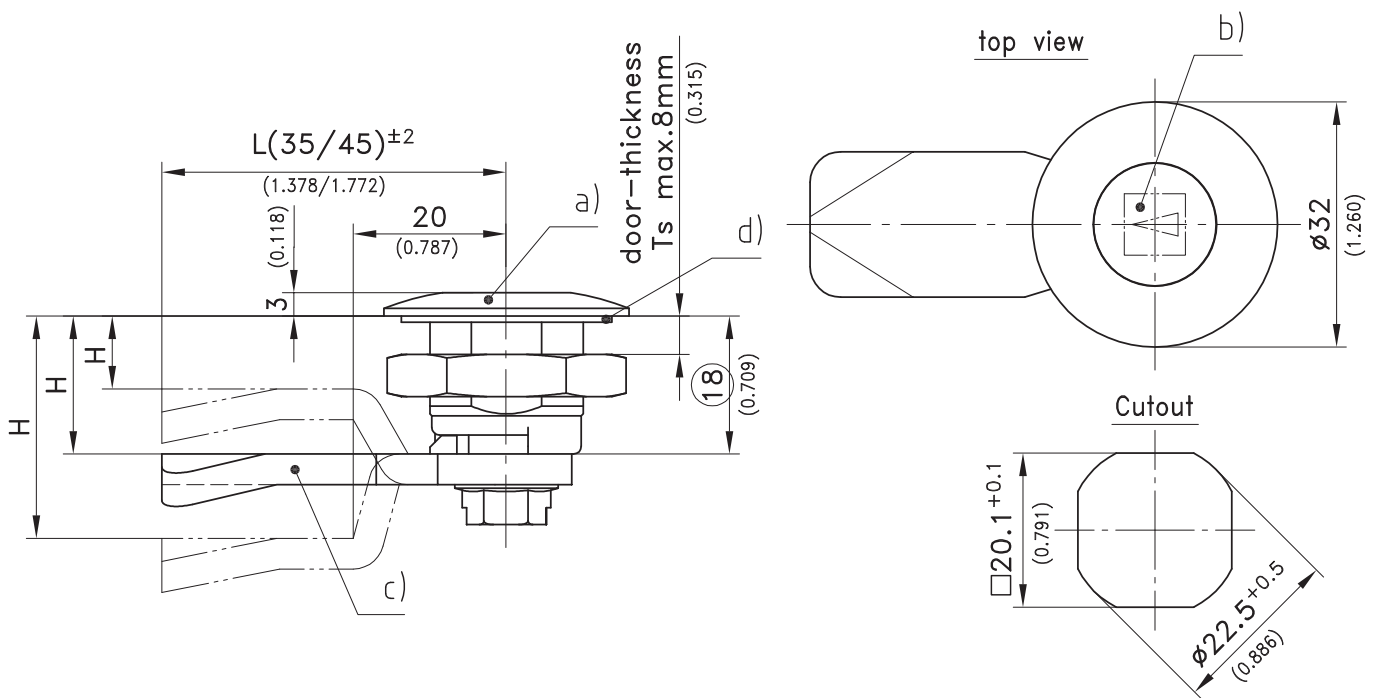
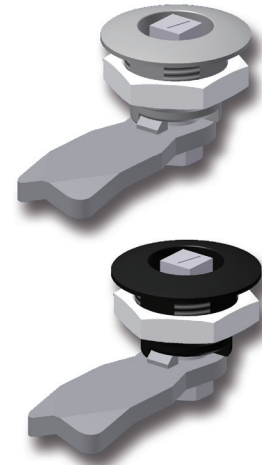


Specially low profile Quarter-Turn.

- RH or LH application.
- This Quarter-Turn consists of three basic parts which can be combined to suit your application.
- By using the flat external seal and the O-rings the quarter-turn is water- and dust-tight according to IP65 or IP67 DIN EN 60529.
- On request parts can be assembled.
- The Quarter-Turn, can be screwed into the cutout with the pre-assembled cam.
- Grounding by grounding nut or grounding clip.

Material:

- **Housing:** zinc die, chrome plated or black
- **Nut:** steel, zinc plated
- **Grounding nut:** zinc die, untreated
- **Grounding clip:** stainless steel



a)	Housing Ø32	zinc die, chrome plated	zinc die, black	see page
	with nut	100-9053	100-9056	
	with grounding nut	100-9054	100-9057	
	with nut and grounding clip	100-9055	100-9058	
b)	Inserts			02.48, 02.49
c)	Cams			02.78
c1)	Special cams			02.80, 02.81, 02.82
	Keys			09.10, 09.11
	Other accessories			02.104, 02.105, 02.51

Optional:

Water-and dust-tight according to IP65 by:

d)	O-ring 12x2mm	200-1001	200-1001
	Flat external seal	200-0901	200-0901

Water- and dust-tight according to IP67 by additional:

	O-ring 10x2mm	200-1002	200-1002
--	----------------------	-----------------	-----------------

	Assembling of cam, without O-ring	200-0001	200-0001
	Assembling of cam, with O-ring	200-0002	200-0002

1-100 Quarter-Turn Pr20.1 L18

for cutout 20.1, length 18

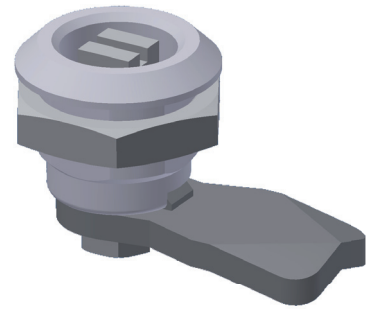


Quarter-Turn, RH or LH application.

- The Quarter-Turn consists of three basic components a) to a4), b) and c) which can be combined to suit your application.
- On request parts can be assembled by DIRAK.
- A pre-assembled Quarter-Turn can be installed through the cutout.
- Housings with extended bodies see product system 1-110.

Material:

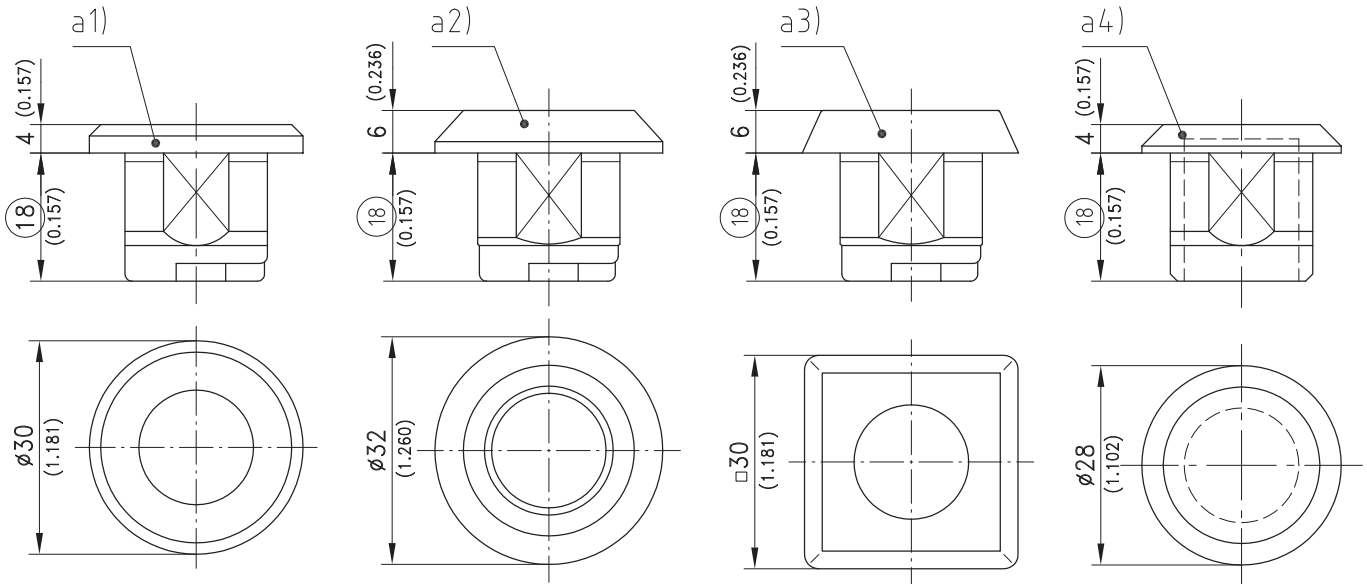
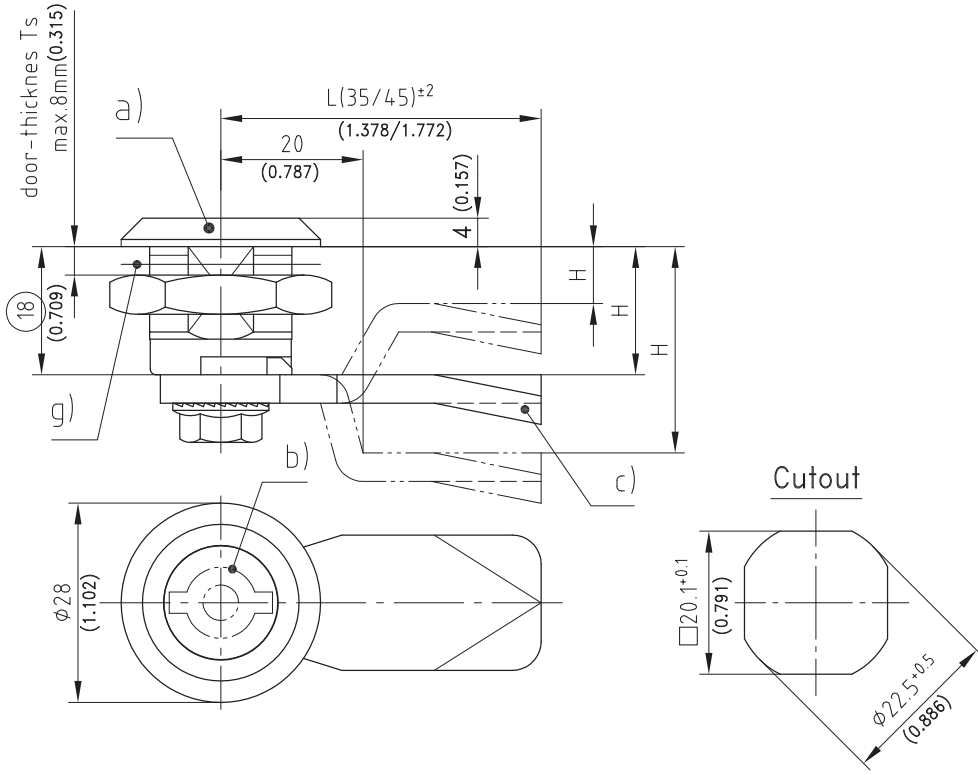
- **Housing:** zinc die, chrome plated or black or PA, black
- **Nuts:** steel, zinc plated
- **Grounding nut:** zinc die, untreated
- **Grounding clip:** stainless steel



a) Housing Ø28	zinc die, chrome plated	zinc die, black	PA black	see page
with nut	200-9001	200-9048	200-9003	
with grounding nut	200-9002	200-9049		
with nut and grounding clip	200-9062	200-9063	200-9004	
a1) Housing Ø30x4				
with nut	200-9045	200-9054		
with grounding nut	200-9046	200-9055		
a2) Housing Ø32x6				
Housing with nut e.g.	200-9005	200-9050	200-9007	
with grounding nut	200-9006	200-9051		
with nut and grounding clip			200-9008	
a3) Housing □30x6				
with nut	200-9009	200-9052		
with grounding nut	200-9010	200-9053		
a4) Blind housing Ø28x4				
with nut		235-9209		
b) Inserts				02.48, 02.49
c) Cams				02.78
c1) Special cams				02.80, 02.81, 02.82
d) Keys				09.10, 09.11
e) Other accessories				02.104, 02.105, 02.51
Optional:				
Water- and dust-tight according to IP65 by:				
f) O-ring 12x2mm	200-1001	200-1001	200-1001	
g) Flat external seal	200-0901	200-0901	200-0901	
Water- and dust-tight according to IP67 by additional:				
h) O-ring 10x2mm	200-1002	200-1002	200-1002	
Assembling of cam, without O-ring	200-0001	200-0001	200-0001	
Assembling of cam, with O-ring	200-0002	200-0002	200-0002	
Assembling cam 90° to handle without O-ring	200-0019	200-0019	200-0019	
Assembling cam 90° to handle with O-ring	200-0033	200-0033	200-0033	

1-100 Quarter-Turn Pr20.1 L18

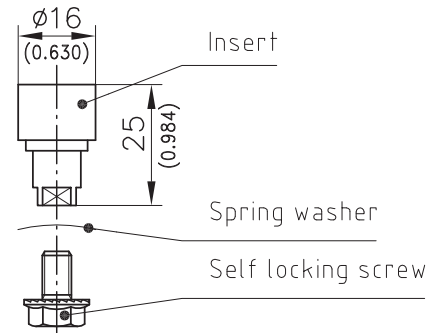
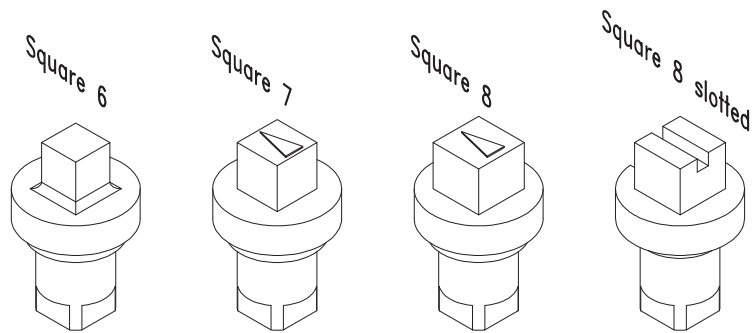
for cutout 20.1, length 18



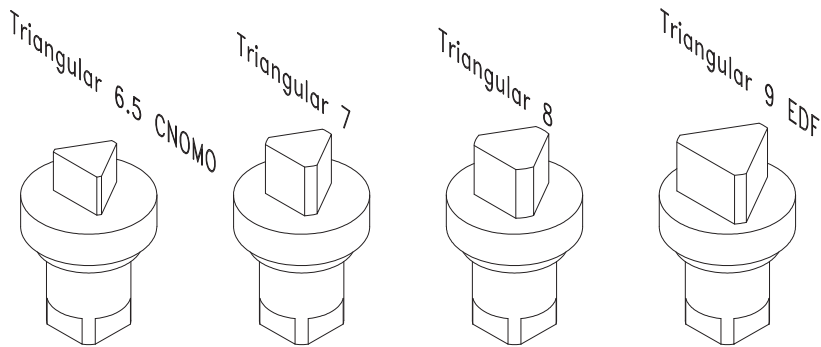
		see page
b) Inserts		02.48
c) Cams		02.78
c1) Special cams		02.80, 02.81, 02.83

1-101 Inserts Pr20.1

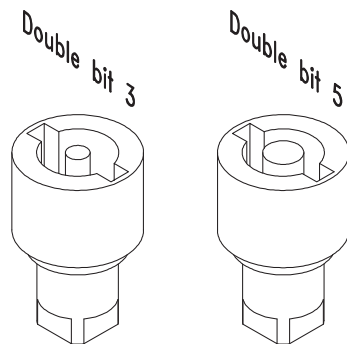
for Quarter-Turn cutout 20.1



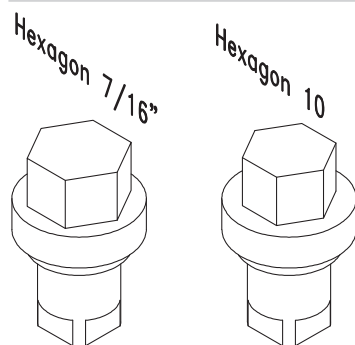
a) Insert	zinc die, chrome plated	zinc die, black	PA black, zinc die, core
Square 6mm	200-9101	200-9127	-
Square 7mm	200-9102	200-9116	-
Square 8mm	200-9103	200-9128	-
Square 8mm slotted	200-9111	-	-



a) Insert	zinc die, chrome plated	zinc die, black	PA black, zinc die, core
Triangular 6.5mm CNOMO Type 1	200-9106	-	-
Triangular 7mm	200-9104	200-9129	-
Triangular 8mm	200-9105	200-9130	-
Triangular 9mm EDF	200-9147	200-9148	-



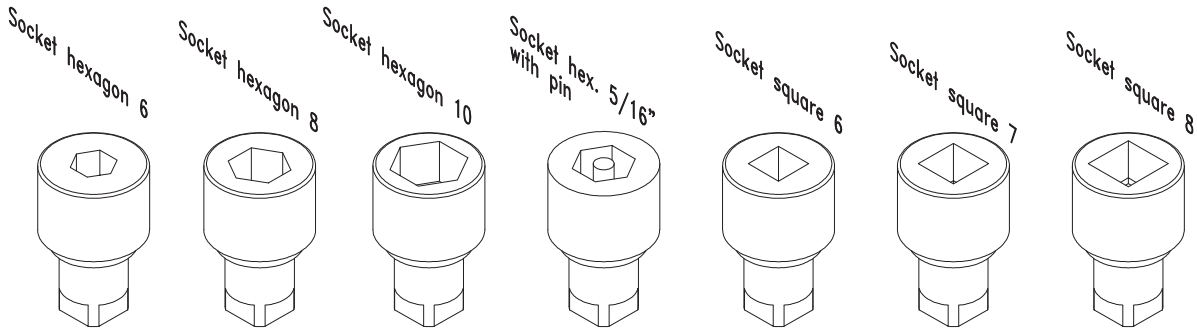
a) Insert	zinc die, chrome plated	zinc die, black	PA black, zinc die, core
Double bit 3mm pin	200-9107	200-9131	200-9117
Double bit 5mm pin	200-9108	200-9132	200-9118



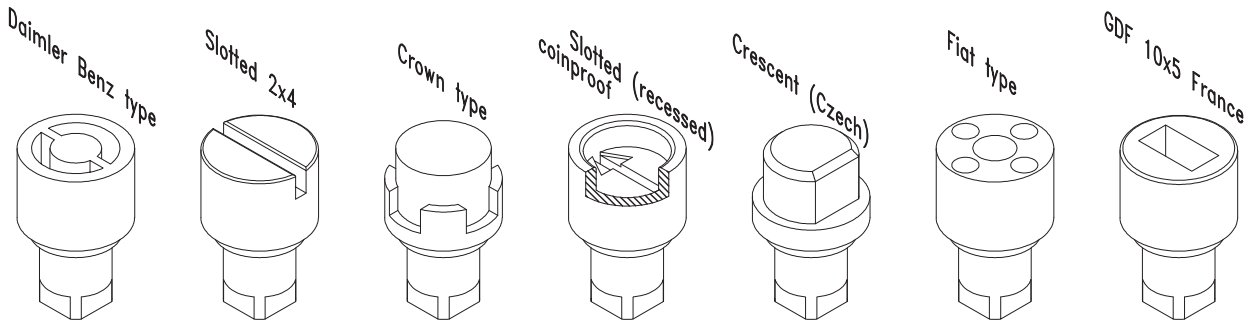
a) Insert	zinc die, chrome plated	zinc die, black	PA black, zinc die, core
Hex 7/16"	200-9171	100-9127	-
Hex. 10mm	200-9185	-	-

1-101 Inserts Pr20.1

for Quarter-Turn cutout 20.1

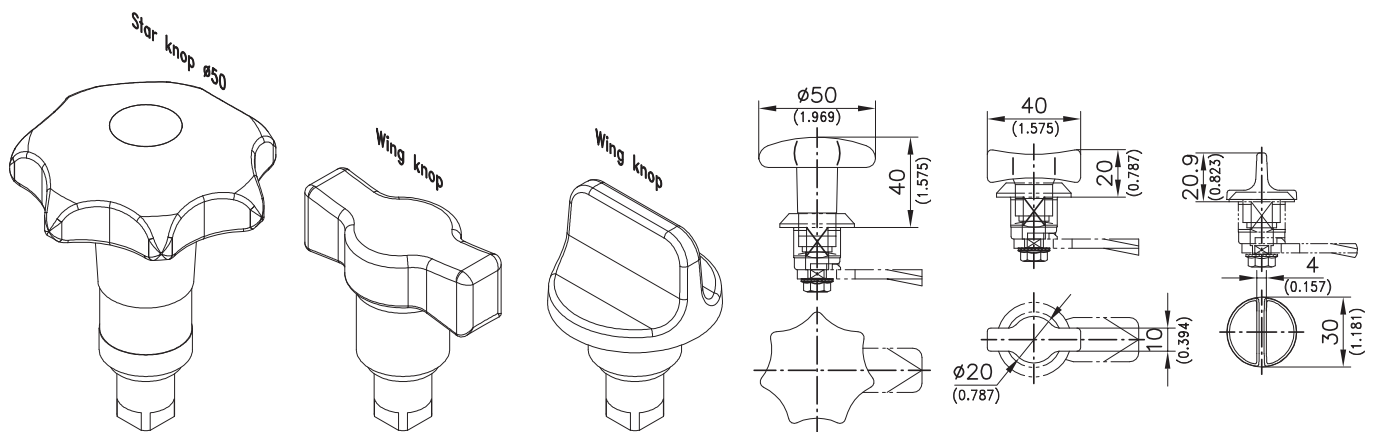


a) Insert	zinc die, chrome plated	zinc die, black	PA black, zinc die, core
Socket hex. 6mm	200-9142	-	-
Socket hex. 8mm	200-9196	200-9197	-
Socket hex. 10mm	200-9112	-	-
Socket head 5/16" 3mm pin	200-9172	200-9178	-
Square socket 6mm	200-9166	-	-
Square socket 7mm	200-9167	-	-
Square socket 8mm	200-9168	-	-



a) Insert	zinc die, chrome plated	zinc die, black	PA black, zinc die, core
Daimler Benz type	200-9109	200-9133	-
Slotted 2x4mm	200-9113	200-9143	200-9126
Crown type	200-9110	-	-
Slotted recessed coinproof	200-9164	200-9169	-
Crescent Czech	200-9154	-	-
FIAT Insert	200-9170	-	-
GDF 10x5mm France	200-9141	-	-

Keys for insert a) see product system 6-100.



b) Insert	zinc die, chrome plated	zinc die, black	PA black, zinc die, core
Star knob Ø50	-	-	200-9114
c) Wing knob	-	-	200-9115
d) Wing knob (only for housing Ø28)	-	100-9115	-

Assembling cam 90° to wing knob see product system 1-100.
Further versions on request

1-102 Cams L35/45

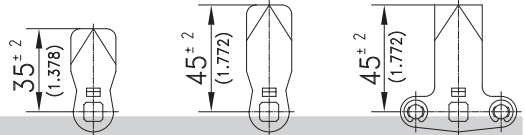
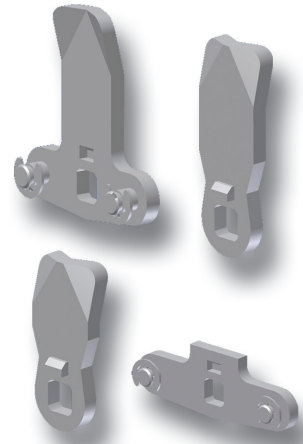
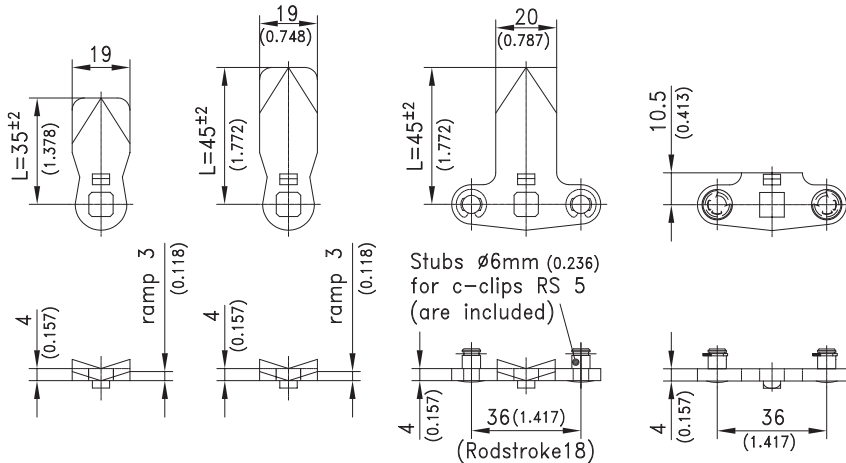
lengths 35 and 45



Material:

Material:

- Cams: steel, zinc plated



H at housing length (GI):

GI12	GI18	GI20	GI22	GI30	GI32	GI36	GI40	GI42	GI46	GI50	GI56	GI60	GI66			
-	2	4	6	14	16	20	24	26	30	34	40	44	50	-	200-0402**	-
-	4	6	8	16	18	22	26	28	32	36	42	46	52	-	200-0404**	200-9504
-	6	8	10	18	20	24	28	30	34	38	44	48	54	200-0606**	200-0406**	200-9506
-	8	10	12	20	22	26	30	32	36	40	46	50	56	200-0608**	200-0408**	200-9508
-	10	12	14	22	24	28	32	34	38	42	48	52	58	200-0610**	200-0410**	200-9510
6	13	15	17	25	27	31	35	37	41	45	51	55	61	200-0613**	200-0413	200-9513
8	14	16	18	26	28	32	36	38	42	46	52	56	62	200-0614**	200-0414	200-9514
10	16	18	20	28	30	34	38	40	44	48	54	58	64	200-0616	200-0416	200-9516
12	18	20	22	30	32	36	40	42	46	50	56	60	66	200-0618	200-0418	200-9518
14	20	22	24	32	34	38	42	44	48	52	58	62	68	200-0620	200-0420	200-9520
16	22	24	26	34	36	40	44	46	50	54	60	64	70	200-0622	200-0422	200-9522
18	24	26	28	36	38	42	46	48	52	56	62	66	72	200-0624	200-0424	200-9524
19	25	27	29	37	39	43	47	49	53	57	63	67	73	200-0625	200-0425	200-9525
20	26	28	30	38	40	44	48	50	54	58	64	68	74	200-0626	200-0426	200-9526
22	28	30	32	40	42	46	50	52	56	60	66	70	76	200-0628	200-0428	200-9528
24	30	32	34	42	44	48	52	54	58	62	68	72	78	200-0630	200-0430	200-9530
26	32	34	36	44	46	50	54	56	60	64	70	74	80	-	200-0432	200-9532
28	34	36	38	46	48	52	56	58	62	66	72	76	82	-	200-0434	200-9534
29	35	37	39	47	49	53	57	59	63	67	73	77	83	200-0635	200-0435	200-9535
30	36	38	40	48	50	54	58	60	64	68	74	78	84	-	200-0436	200-9536
32	38	40	42	50	52	56	60	62	66	70	76	80	86	200-0638	200-0438	200-9538
34	40	42	44	52	54	58	62	64	68	72	78	82	88	200-0640	200-0440	200-9540
36	42	44	46	54	56	60	64	66	70	74	80	84	90	200-0642	200-0442	200-9542
38	44	46	48	56	58	62	66	68	72	76	82	86	92	200-0644	200-0444	200-9544
39	45	47	49	57	59	63	67	69	73	77	83	87	93	-	200-0445	200-9545*
41	47	49	51	59	61	65	69	71	75	79	85	89	95	-	200-0447	200-9547*
44	50	52	54	62	64	68	72	74	78	82	88	92	98	-	200-0450	200-9550*
47	53	55	57	65	67	71	75	77	81	85	91	95	101	-	200-0453	-
49	55	57	59	67	69	73	77	79	83	87	93	97	103	-	200-0455	-

*Price and delivery time on request!

**PLEASE NOTE:

These cams cannot be used with slide shoe product system 1-103SL.

	Part No.	see page
2-point cam, steel, zinc plated	200-9599	
Cam with ramp H=18, L=25	200-5118	02.80
Hooked Cams		02.81
Other cams		02.82, 03.45
Cam for alternative solution		03.46
Stainless steel cams		10.16

1-260 Hooked Cam

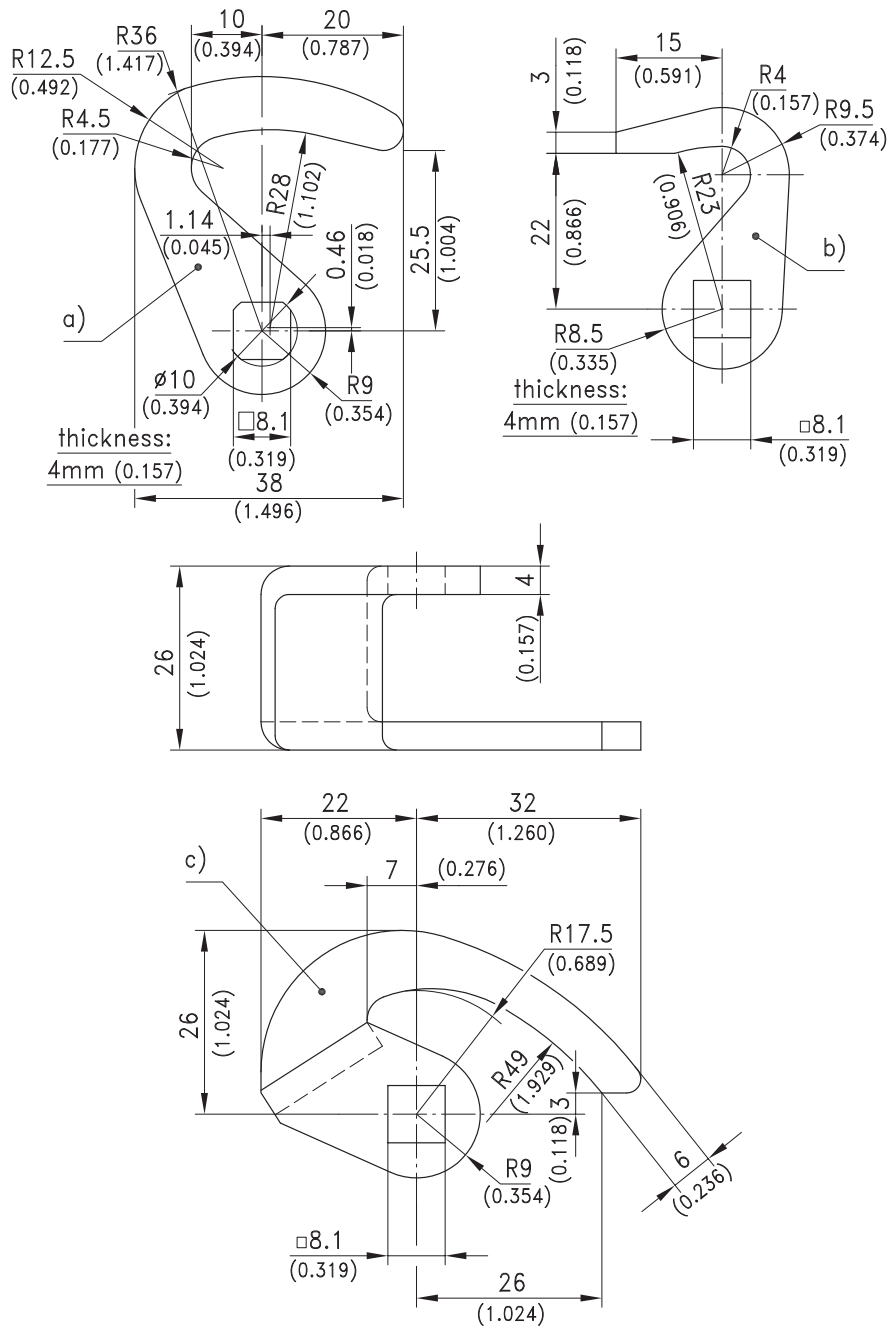


Hooked cam suitable for all 200-series latches and handles.

Material:

- Hooked cam: steel, zinc plated

- **Please note:** When assembling 200-1701 or 200-1703 by DIRAK, please indicate the locking direction of the cam.
- 200-1702 only clockwise operation.



	Part No.
a)	200-1701
b)	200-1703
c)	200-1702